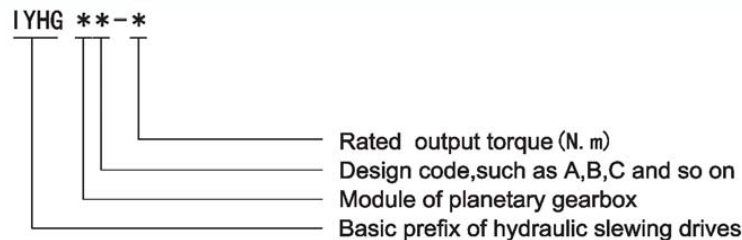


IYHG series hydraulic slewing drives

1. Brief introduction

IYHG series hydraulic slewing drives are self-developed with independent intellectual property rights. And they are mainly consist of variable displacement axial piston motor, multi-gear planetary gearbox, and relief valve block . It features compact design, light weight, high work pressure, good stability, and you can get small displacement when give oil flow to the control port "X" and the output gear of the drives mesh with the rack pinion make the power head back and forth. IYHG series hydraulic slewing drives have been well sold in China company such as XCMG, DW/TXS CONSTRUCTION and also have been exported to the USA, Japan, Russia, Austria, Australia, Nethelands, Indonsia, Korea and other areas in the world.

2. Model options

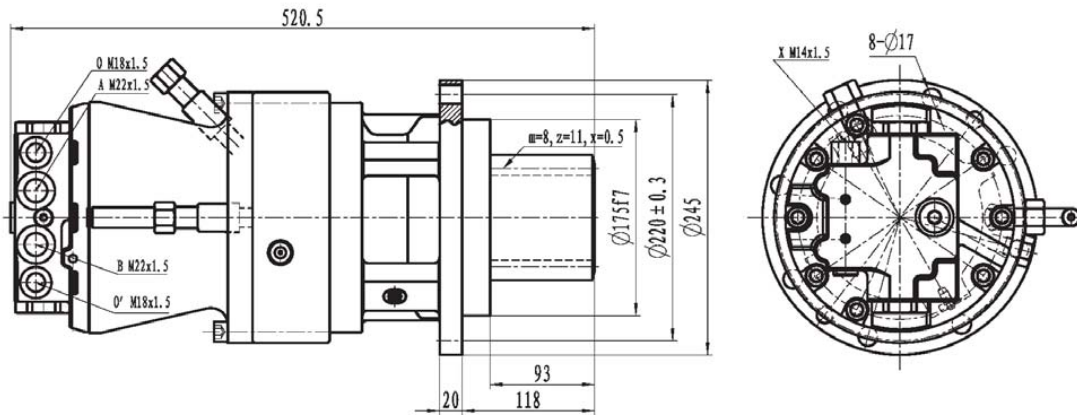


3. Options example

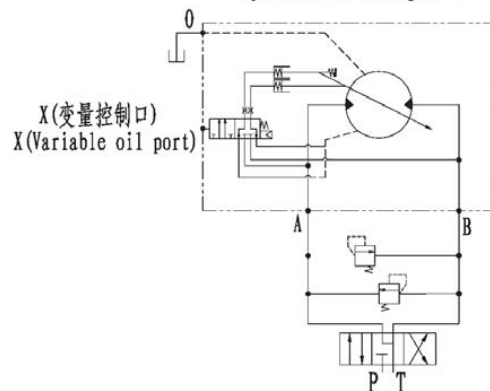
IYHG33A-3000 represents that the hydraulic slewing drives adopts two levels planetary gearbox, and the modules of the gearbox are 3 and 3 respectively, the design mode is A, the rated output torque is 1500N.m.

4. Parameter description

- a. Total displacement represents the capacity of oil supply per revolution.
- b. Flow of oil supply indicates theoretical flow of pump when the volumetric efficiency is considered as 90%-94%.

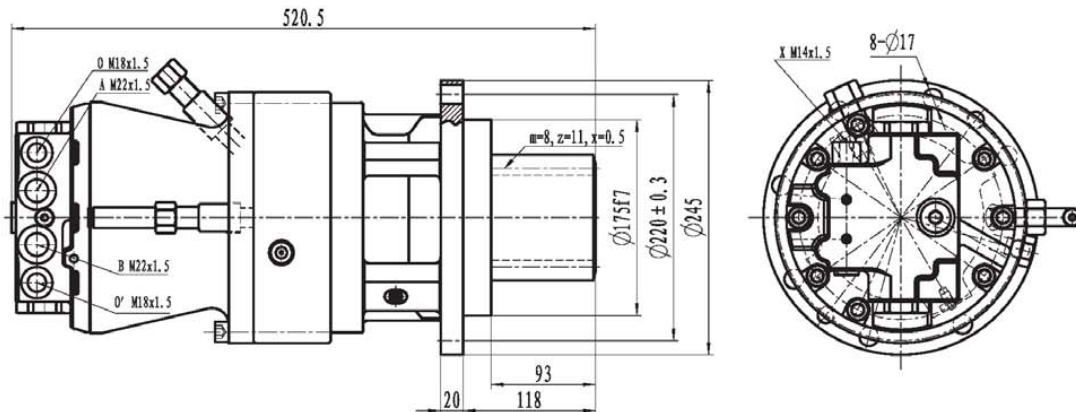
外形尺寸
 Dimension

 技术参数
 Technical Data

额定输出扭矩 Output Torque (N · m)	转速 Speed (r/min)	传动比 Ratio	额定压力 Rated Pressure (MPa)	总排量 Displacement (ml/r)	液压马达排量 Motor Displacement (ml/r)	总重量 Weight (Kg)	适用机型 Machine type
3000/1050	26/75	20.06	25	1041.11 366.5	51.9 18.27	70	非开挖钻机 Drilling rig

 液压原理图
 Hydraulic diagram


外形尺寸

Dimension



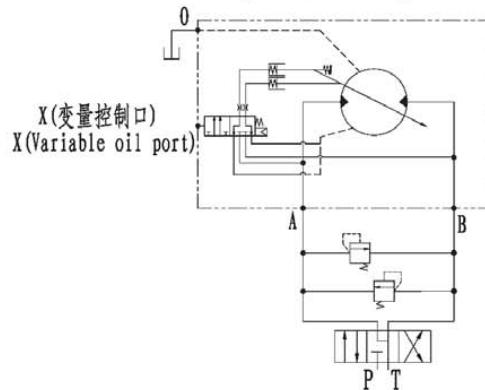
技术参数

Technical Data

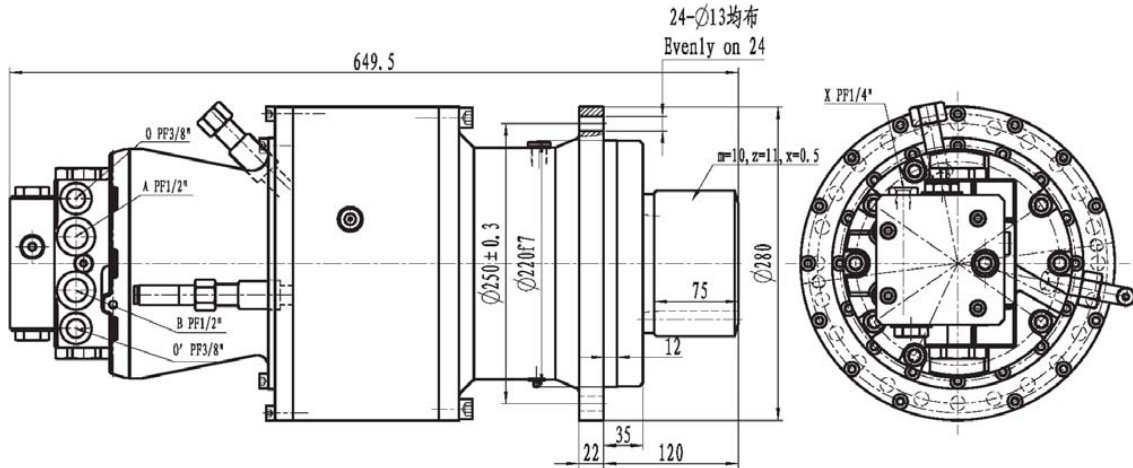
额定输出扭矩 Output Torque (N·m)	转速 Speed (r/min)	传动比 Ratio	额定压力 Rated Pressure (MPa)	总排量 Displacement (ml/r)	液压马达排量 Motor Displacement (ml/r)	总重量 Weight (Kg)	适用机型 Machine type
4000/1250	26/75	26.44	25	1372.24 483.06	51.9 18.27	70	非开挖钻机 Drilling rig

液压原理图

Hydraulic diagram



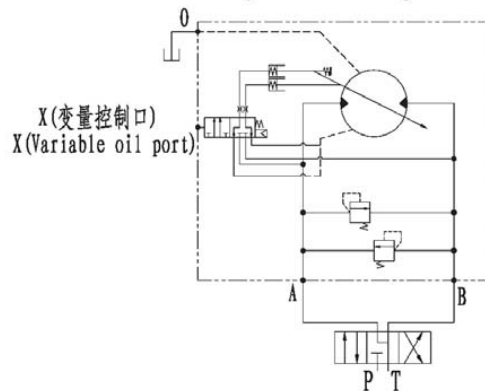
外形尺寸
Dimension



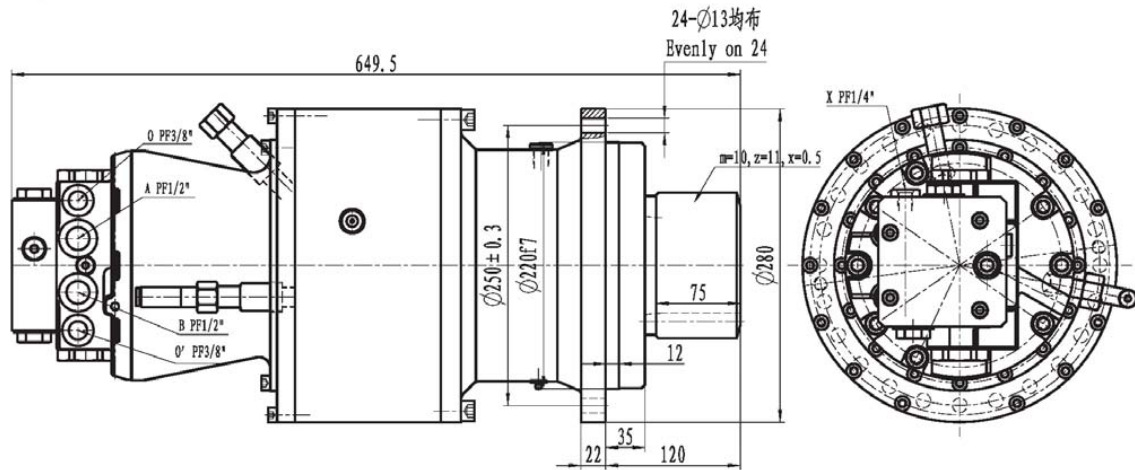
技术参数
Technical Data

额定输出扭矩 Output Torque (N·m)	转速 Speed (r/min)	传动比 Ratio	额定压力 Rated Pressure (MPa)	总排量 Displacement (ml/r)	液压马达排量 Motor Displacement (ml/r)	总重量 Weight (Kg)	适用机型 Machine type
5667/1500	34/88	33.1	27	1717.89 756.997	51.9 22.87	145	非开挖钻机 Drilling rig

液压原理图
Hydraulic diagram



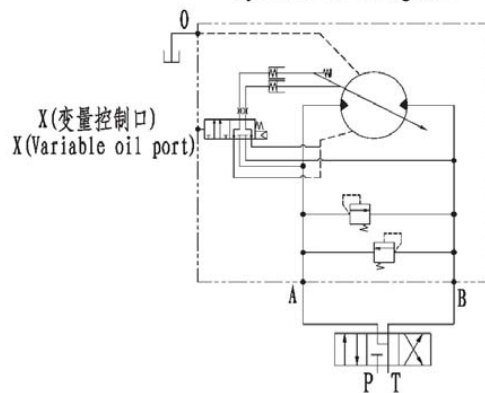
外形尺寸
Dimension



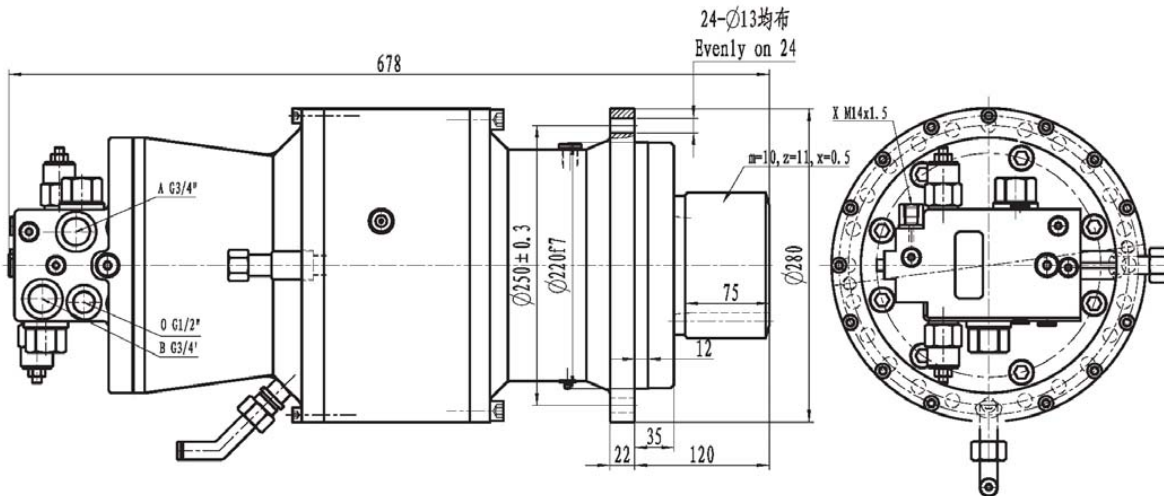
技术参数
Technical Data

额定输出扭矩 Output Torque (N·m)	转速 Speed (r/min)	传动比 Ratio	额定压力 Rated Pressure (MPa)	总排量 Displacement (ml/r)	液压马达排量 Motor Displacement (ml/r)	总重量 Weight (Kg)	适用机型 Machine type
7129/2800	31/70	33.1	27	2244 989	51.9 22.87	145	非开挖钻机 Drilling rig

液压原理图
Hydraulic diagram



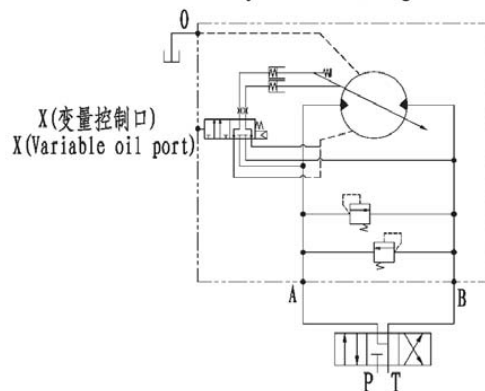
外形尺寸
Dimension



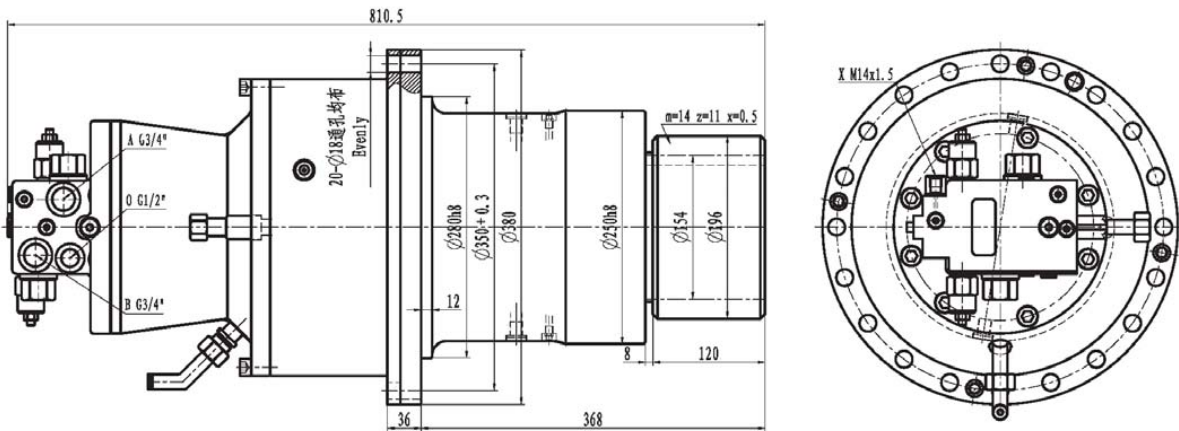
技术参数
Technical Data

额定输出扭矩 Output Torque (N·m)	转速 Speed (r/min)	传动比 Ratio	额定压力 Rated Pressure (MPa)	总排量 Displacement (ml/r)	液压马达排量 Motor Displacement (ml/r)	总重量 Weight (Kg)	适用机型 Machine type
9000/3850	40/90.5	33.1	27	2648 1158.5	80 35	160	非开挖钻机 Drilling rig

液压原理图
Hydraulic diagram



外形尺寸
Dimension



技术参数
Technical Data

额定输出扭矩 Output Torque (N·m)	转速 Speed (r/min)	传动比 Ratio	额定压力 Rated Pressure (MPa)	总排量 Displacement (ml/r)	液压马达排量 Motor Displacement (ml/r)	总重量 Weight (Kg)	适用机型 Machine type
12000/4000	35/70	38.6	28	3370 1664	87.3 43.1	220	非开挖钻机 Drilling rig

液压原理图
Hydraulic diagram

